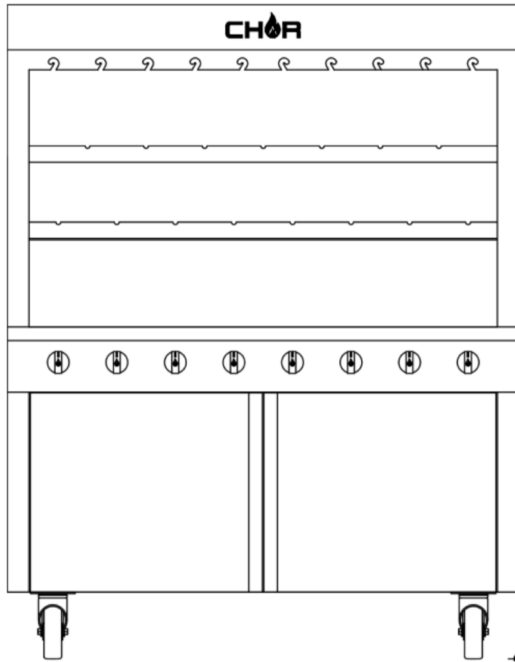




| | |
|----------|--|
| ITEM NO | |
| QUANTITY | |
| JOB NAME | |
| JOB NO | |

Floor Model: CHURRASCO



AVAILABLE MODELS

- CP-S387-9XX
- CP-S387-12XX
- CP-S387-15XX
- CP-S387-18XX

* "XX" denotes fuel type selected below

STANDARD FEATURES

- 14 GAUGE STAINLESS STEEL BODY.
- CERAMIC INSULATED.
- REFRACTORY BRICK LINED.
- REMOVABLE DRIP PANS.
- FULLY WELDED 14 GA STAINLESS STEEL FIRE BOX.
- 1/2" THICK LASER CUT REMOVABLE STEEL GRATES.
- HEAVY DUTY LOCKING SWIVEL CASTERS.
- GAS ASSIST STARTER.
- ONE YEAR PARTS AND LABOR WARRANTY.

SPECIFICATIONS

Gas fueled Churrasco CHAR Broiler is available in 4 accommodating sizes: 36" [900mm], 48" [1200mm], 60" [1500mm] and the 72" [1800mm]; each with rotating spits.

A dependable and tested industrial gear motor offers years of uninterrupted operation of the rotating spits while full adjustability is offered in the independent height adjustable grate system and adjustable air vents.

To ensure performance and longevity these units are constructed entirely of 304 Stainless Steel, contain a Ceramic Insulated exterior and a Ceramic Brick lined cooking interior.

Also included with each unit are Ash pit boxes, 4 each Swivel 6" casters (2 locking) and a 3/4" NG gas connection with regulator. Included accessories are: Grill Cleaning kit.

OPTIONS

- REMOVABLE 8" PLATE SHELF.
- 3/4" GAS FLEX QUICK DISCONNECT.
- STAINLESS STEEL GRATE QTY. _____
- FISH GRATES. QTY. _____
- FEATURE FLAME ON BACK SIDE.
- PLATE SHELF 1/6 PAN CONDIMENTI NSERTS.
- NATURAL GAS—NG
- PROPANE—PR
- OVERHEAD LED TASK LIGHT

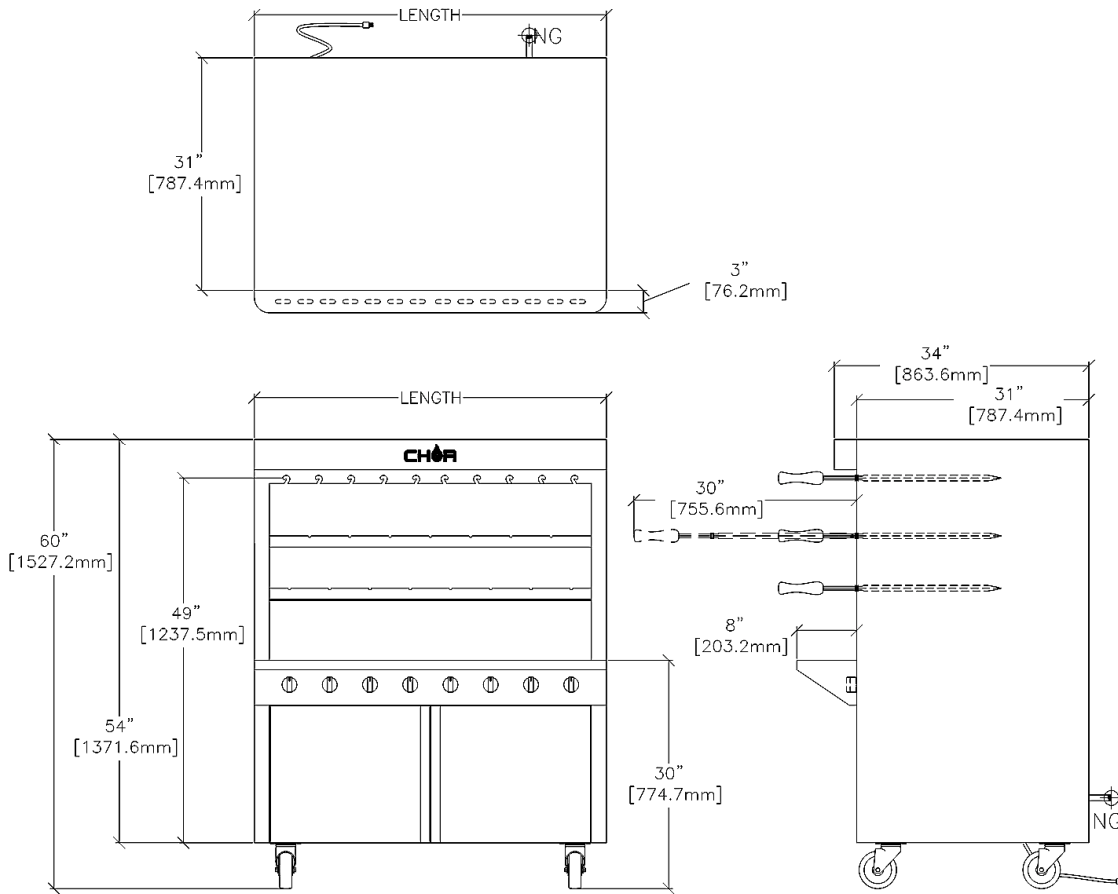
CONSULTANT APPROVAL:

NOTES:

DATE:



| MODEL NO. | LENGTH | POWER | TOTAL BTU INPUT | SHIP WEIGHT |
|--------------|----------------|----------------|------------------------|-------------|
| CP-S387-9XX | 36" [914.4mm] | 115v NEMA 5-15 | 98,000 NG/ 87,000 LP | 1100 LBS |
| CP-S387-12XX | 48" [1219.2mm] | 115v NEMA 5-15 | 152,000 NG/ 132,000 LP | 1300 LBS |
| CP-S387-15XX | 60" [1524mm] | 115v NEMA 5-15 | 185,000 NG/ 160,000 LP | 1500 LBS |
| CP-S387-18XX | 72" [1828.8mm] | 115v NEMA 5-15 | 205,000 NG/ 178,000 LP | 1700 LBS |



INSTALLATION INSTRUCTIONS

1. A properly sized gas line must be provided. All units are internally regulated. DO NOT DUAL REGULATE.
2. An adequate ventilation system is required for commercial use. DO NOT ATTEMPT TO OPERATE THIS EQUIPMENT WITHOUT IT.
3. Observe all Local and national codes.
4. Proper combustion requires this unit to remain on casters or legs. If a curb installation is preferred please contact CHAR products for information in doing so.
5. This appliance is manufactured for commercial use ONLY. It is NOT intended for Residential indoor use.
6. We upgrade our products regularly and in doing so materials and specifications are subject to change without notice.

| | | | |
|---------------------------|---------------------------------------|---|--|
| CHAR Products, LLC | Ph. 702-489-9888 Fax. 702-489-9898 | Website: www.charprd.com Email: info@charprd.com | 2915 Losee Rd. Ste 106 N. Las Vegas, NV 89030 |
|---------------------------|---------------------------------------|---|--|