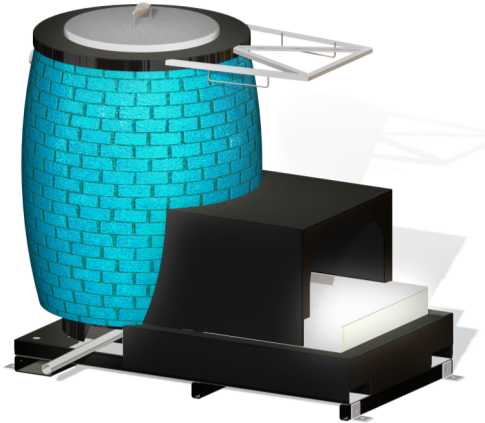




ITEM NO	
QUANTITY	
JOB NAME	
JOB NO	

# BARREL ROASTING OVEN



CP-EX21815 (Tiles not included)

## AVAILABLE MODELS

- CP-EX21815

## SPECIFICATIONS

Solid fuel, cast ceramic oven. The ceramic vessel insulates the exterior from extreme temperatures while maintaining ideal internal cooking temps. Included in this oven is heavy duty cooking grate, a lid for the oven and a grease drain to assist in the removal of cooking fats (grease trap to be provided by others).

The top opening of the ceramic cooking chamber has a 25.75" [ 654mm] opening allowing access for hanging or grilling food items. The outside of this chamber is insulated and covered with an expanded metal mesh which functions as an attachment point for a stucco or tile finish (to be provided by others).

Unit is mounted on a heavy duty frame designed for forklift mobility and ease of installation.

## STANDARD FEATURES

- HEAVY DUTY STAINLESS STEEL COMPONENTS.
- CAST CERAMIC OVEN CHAMBER AND FIREBOX.
- FULLY WELDED STAINLESS STEEL FIREBOX ENCLOSURE
- HEAVY DUTY BASE FRAME.
- REMOVABLE COOKING GRATE AND OVEN LID
- ONE YEAR PARTS AND LABOR WARRANTY.

## OPTIONS

- 

CONSULTANT APPROVAL:

NOTES:

DATE:

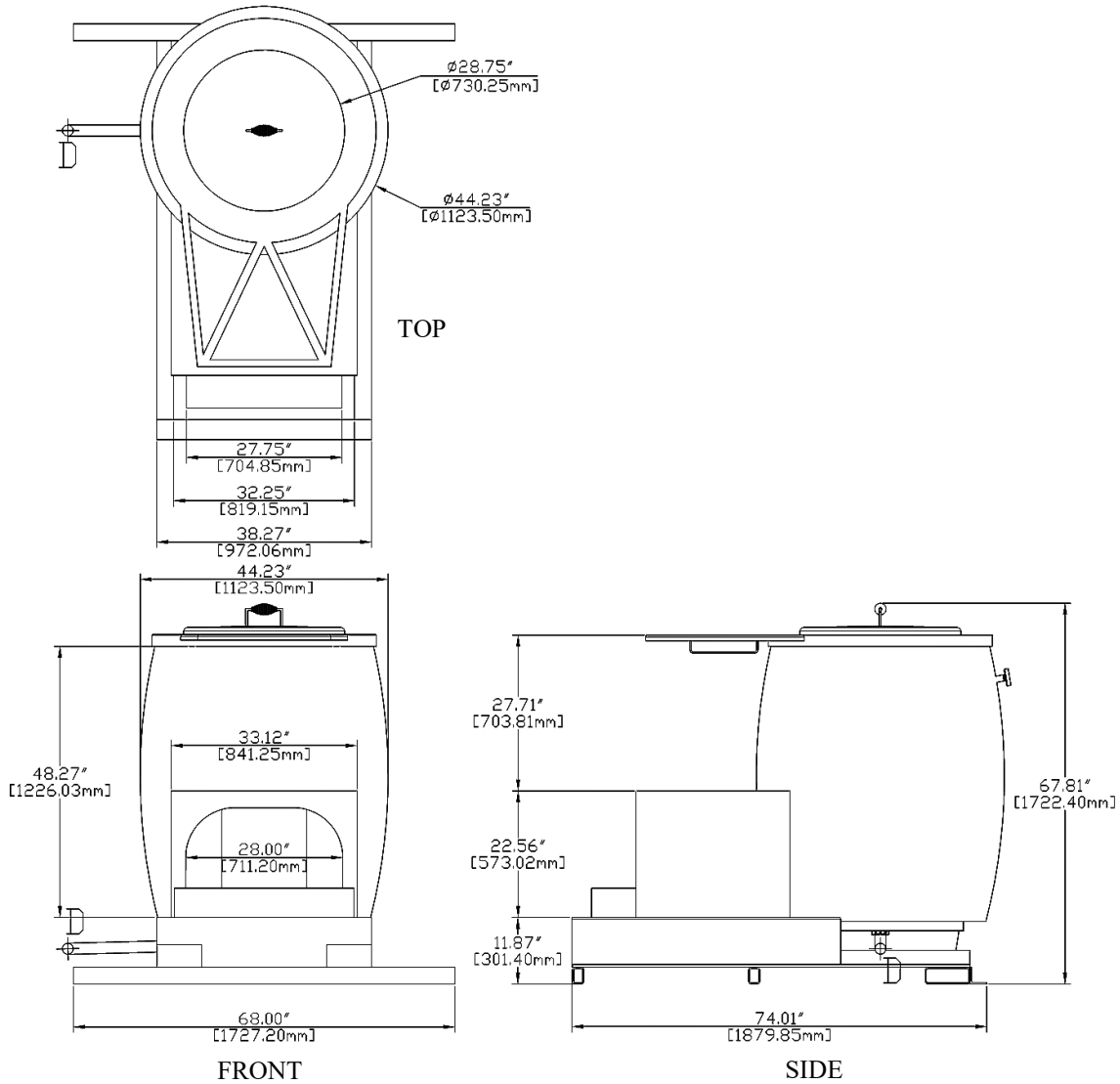
**CHAR Products, LLC**

Ph. 702-489-9888  
Fax. 702-489-9898

Website: [www.charprd.com](http://www.charprd.com) 2915 Losee Rd. Ste A-106  
Email: [info@charprd.com](mailto:info@charprd.com) N. Las Vegas, NV 89030



MODEL NO.	LENGTH	WIDTH	HEIGHT	TOTAL BTU INPUT	SHIP WEIGHT
CP-EX21815	74.01" [1879.85mm]	68" [1727.2mm]	67.81" [1722.4mm]	47000 NG	3300LBS/ 1497 kg



### INSTALLATION INSTRUCTIONS

1. An adequate ventilation system is required for commercial use. DO NOT ATTEMPT TO OPERATE THIS EQUIPMENT WITHOUT IT.
2. Observe all Local and national codes.
3. This appliance is manufactured for commercial use ONLY. It is NOT intended for Residential indoor use.
4. We upgrade our products regularly and in doing so materials and specifications are subject to change without notice.

**CHAR Products, LLC**

Ph. 702-489-9888  
Fax. 702-489-9898

Website: www.charprd.com 2915 Losee Rd. Ste A-106  
Email: info@charprd.com N. Las Vegas, NV 89030