



ITEM NO	
QUANTITY	
JOB NAME	
JOB NO	

THE PRIMROSE



CP-EX2367-24 WITH OPTIONAL BASE CABINET

AVAILABLE MODELS

- CP-EX2367-12XX
- CP-EX2367-15XX
- CP-EX2367-18XX
- CP-EX2367-24XX
- CP-EX2367-30XX

STANDARD FEATURES

- STAINLESS STEEL CONSTRUCTION
- REFRACTORY STONE LINING
- FRONT DROP DOWN GRATE
- MULTI LEVEL GRATES
- INTERCHANGABLE GRILL RACKS
- STAINLESS STEEL WOOD STORAGE CABINETS
- CERAMIC INSULATION ON FLOOR AND OUTER PERIMETER
- OPTIONAL EXTERIOR FINISHES AVAILABLE
- 6" TALL ADJUSTABLE LEGS

SPECIFICATIONS

CHAR Products Solid Fuel Wood/ Charcoal fired Grills are the Best in the Industry. Designed to provide many years of quality service through innovative designs and manufacturing methods.

Each grill is manufactured to precise standards using 304 stainless steel full body construction, and heavy duty support framing. Safety and comfort is enhanced using ceramic lined exterior panels to prevent heat transfer to the operator. Enhanced cooking performance is achieved through the use of a refractory brick lined burn pit. The tailgate style access to the burn pit and the fully enclosed S/S wood storage areas offer an easy solution for safely storing and adding your preferred solid fuel as well as allowing for easy ash clean-out.

The unique Gantry System provides the clearance necessary to operate optional rotisserie attachments. Also available are three interchangeable and unique grill racks that provide versatility in grilling methods and needs.

Optional finishes are also available.

OPTIONS

- Round Rod Style Grill Grate Rack QTY. ____
- V-Shape Style Grill Grate Rack QTY. ____
- Griddle Plate Rack QTY. ____
- Overhead Gantry
- Under-Counter Gantry
- Plate Shelf (Solid)
- Plate Shelf with Condiment Pan Cutouts
- Service Cart
- Casters
- Curb Mounted Option
- Refrigerated Base (remote / self contained)
- Decorative Exterior

CONSULTANT APPROVAL:

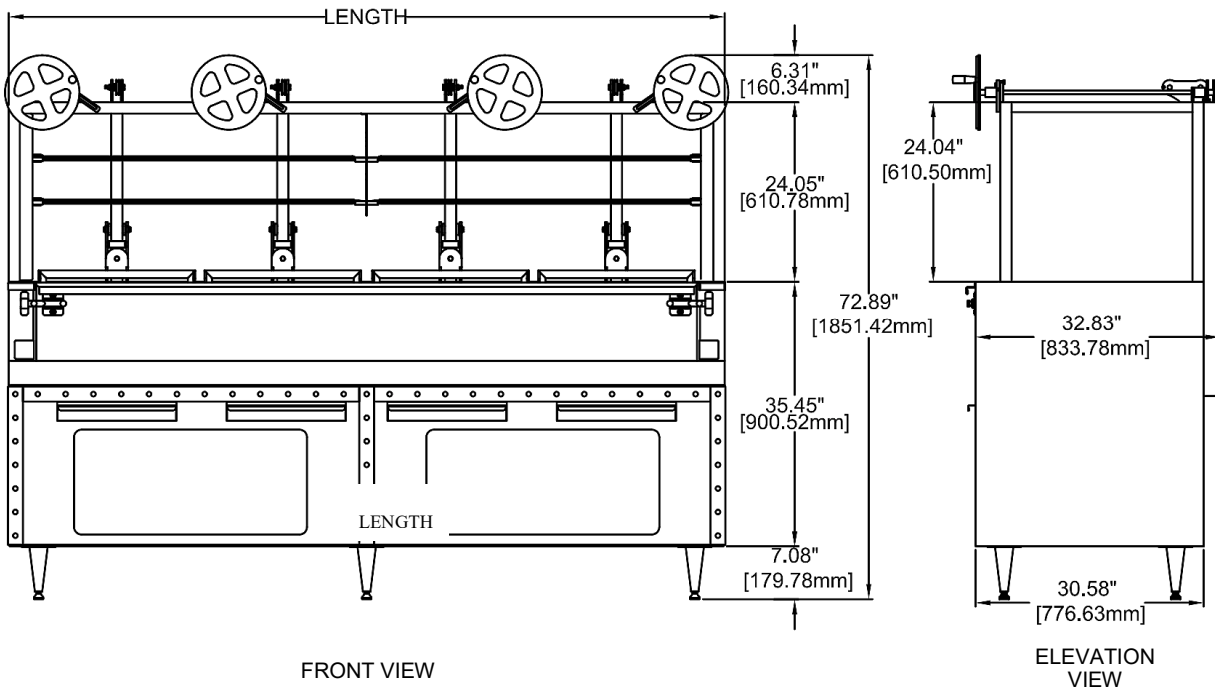
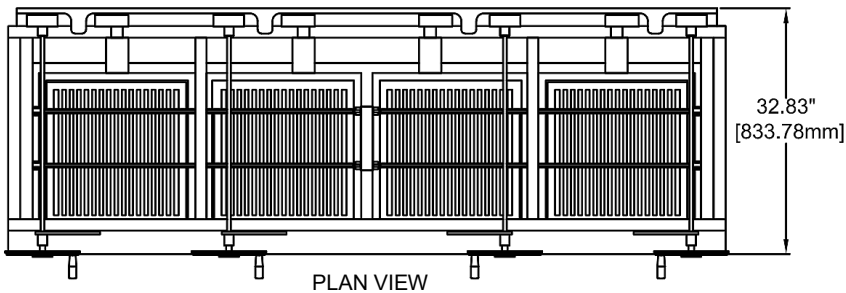
NOTES:

DATE:

CHAR Products, LLC	Ph. 702-489-9888 Fax. 702-489-9898	Website: www.charprd.com Email: info@charprd.com	2915 Losee Rd. Ste 106 N. Las Vegas, NV 89030
---------------------------	---------------------------------------	---	--



MODEL NO.	LENGTH	POWER	FUEL TYPE	SHIP WEIGHT
CP-EX2367-12XX	48" [1200mm]	115v NEMA 5-15	SOLID FUEL	950lbs./ 430kg
CP-EX2367-15XX	60" [1500mm]	115v NEMA 5-15	SOLID FUEL	1100lbs./ 500kg
CP-EX2367-18XX	72" [1800mm]	115v NEMA 5-15	SOLID FUEL	1500lbs./ 680kg
CP-EX2367-24XX	96" [2400mm]	115v NEMA 5-15	SOLID FUEL	1850lbs./ 840kg
CP-EX2367-30XX	120" [3000mm]	115v NEMA 5-15	SOLID FUEL	2250lbs./ 1020kg



INSTALLATION INSTRUCTIONS

1. An adequate ventilation system is required for commercial use. DO NOT ATTEMPT TO OPERATE THIS EQUIPMENT WITHOUT IT.
2. Observe all Local and national codes.
3. This appliance is manufactured for commercial use ONLY. It is NOT intended for Residential indoor use.
4. We upgrade our products regularly and in doing so materials and specifications are subject to change without notice.

CHAR Products, LLC

Ph. 702-489-9888
Fax. 702-489-9898

Website: www.charprd.com
Email: info@charprd.com

2915 Losee Rd. Ste 106
N. Las Vegas, NV 89030