



ITEM NO	
QUANTITY	
JOB NAME	
JOB NO	

VERTICAL ROTISSERIE



CP-EX2218-NG

AVAILABLE MODELS

- CP-EX2218-XX

* "XX" denotes fuel type

SPECIFICATIONS

Gas, infrared heat source, all stainless steel, vertical rotisserie; currently available in 33"x 22" [830mm x 560mm]. Smooth gear drive motion and offset heat sources provide uniform coverage of the available cooking area. Fully insulated exterior façade and interior base to ensure safe operation. Heavy duty Stainless Steel construction provide stability and longevity of the product. Engineered for simple and secure spit installation and removal.

STANDARD FEATURES

- FULL STAINLESS STEEL CONSTRUCTION.
- FULLY INSULATED, BOTH INTERIOR AND EXTERIOR.
- CUSTOM MILLED SPIT ASSEMBLIES (2EA)
- INFRARED BURNERS.
- GEAR DRIVEN MOTION (NO CHAINS)
- ADJUSTABLE LEGS.
- ONE YEAR PARTS AND LABOR WARRANTY.

OPTIONS

- NATURAL GAS—NG
- PROPANE—PR
- FOLD OUT HEAT SHIELDS
-

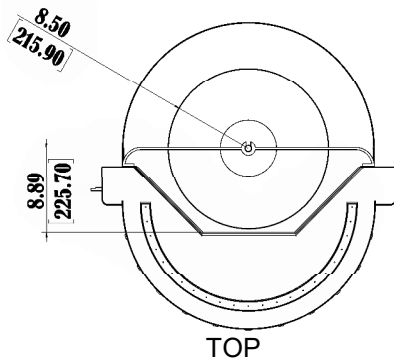
CONSULTANT APPROVAL: _____

NOTES: _____

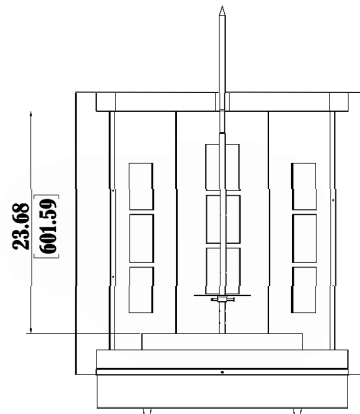
DATE: _____



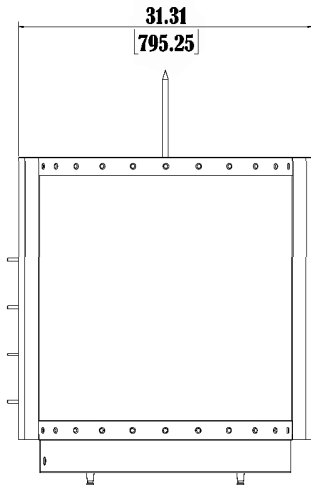
MODEL NO.	LENGTH	WIDTH	GAS OPTION	SHIP WEIGHT
CP-EX2218-XX	32 5/8" [830mm]	31 5/16" [795mm]	65,000 BTU's NG	350 LBS/ 159 kg



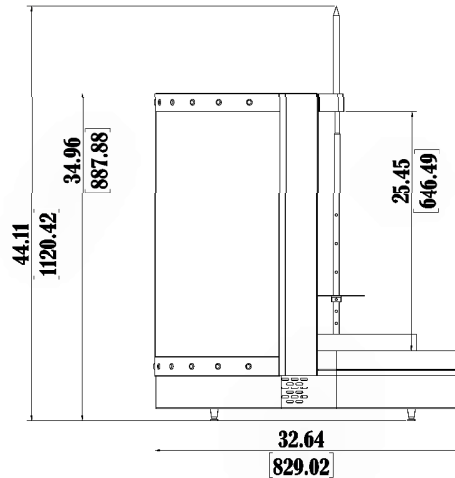
TOP



SERVER SIDE



FRONT



RIGHT SIDE

INSTALLTION NSTRUCTIONS

1. Properly sized gas or power source must be provided for units. All gas units are internally regulated. DO NOT DUAL REGULATE.
2. An adequate ventilation system is required for commercial use. DO NOT ATTEMPT TO OPERATE THIS EQUIPMENT WITHOUT IT.
3. Observe all Local and national codes.
4. Proper combustion requires this unit to remain on legs.
5. This appliance is manufactured for commercial use ONLY. It is NOT intended for Residential indoor use.
6. **We upgrade our products regularly and in doing so materials and specifications are subject to change without notice.**

CHAR Products, LLC

Ph. 702-489-9888
Fax. 702-489-9898

Website: www.charprd.com 2915 Losee Rd. Ste 106
Email: info@charprd.com N. Las Vegas, NV 89030