



SARJ GAS FUEL

SPECIFICATION SHEET

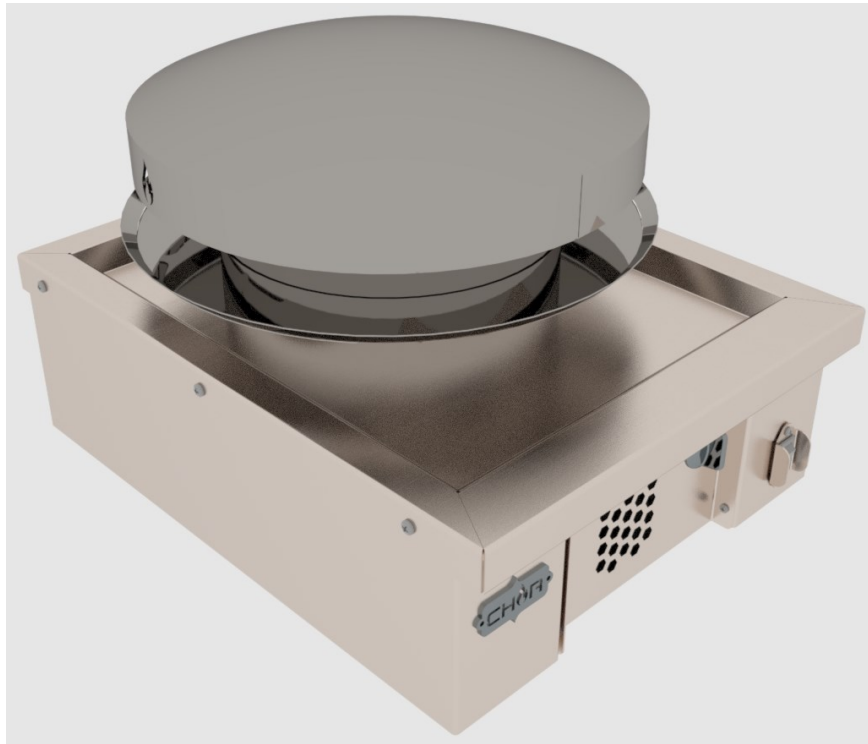
ITEM NO	
QUANTITY	
JOB NAME	
JOB NO	

PART NUMBER DESIGNATION

CP-GFG-SARJ- - -

Fuel type (LP) for Propane (NG) for Natural Gas

Option code from option list



STANDARD FEATURES

- 14 gauge stainless steel body
- Domed grill surface
- Adjustable gas valve
- Full gas safety and igniter
- Grease drip ring
- Adjustable leveling feet
- 1/2" gas line
- Appropriate gas regulator (for gas type selected)
- Gas safety
- Two year warranty parts and labor

OPTIONS	
OPTION CODE	DESCRIPTION
FQD	1/2" FLEX QUICK DISCONNECT

SPECIFICATIONS

The CHAR gas fueled Sarj Grill is great for for cooking items such as naan breads. This unit has a heavy duty domed grill surface and is easily placed on or into a counter. To ensure performance and longevity these units are constructed entirely of 304 stainless steel.

- See spec sheets for cabinet and table bases
- Must choose fuel type (LP) for Propane (NG) for Natural Gas

CONSULTANT APPROVAL:



CHAR Products, LLC

Ph. 702-489-9888

Fax. 702-489-9898

Website: www.charprd.com

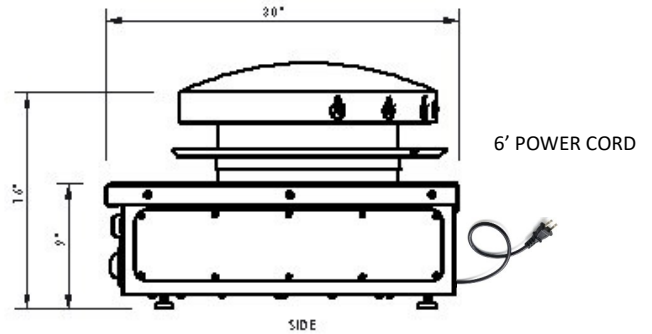
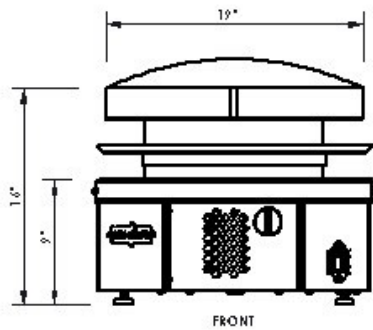
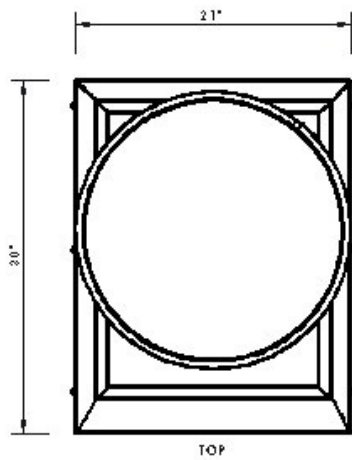
Email: info@charprd.com

2915 Losee Rd. Ste 106

N. Las Vegas, NV 89030



MODEL #	LENGTH	WIDTH	HEIGHT	FUEL LINE SIZE	ELECTRIC W/GAS SAFETY	BTU INPUT-NG	SHIPPING WEIGHT ESTIMATED
CP-GFG-SARJ-__	20 7/16	24 5/8	17 9/16	1/2	120V-1PH-5A	90,000	180 LBS.



INSTALLATION INSTRUCTIONS

1. An appropriate gas line must be provided. All units are internally regulated. DO NOT DUAL REGULATE.
2. An adequate ventilation system is required for commercial use. DO NOT ATTEMPT TO OPERATE THIS EQUIPMENT WITHOUT IT.
3. Observe all local and national codes.
4. Proper combustion requires this unit to remain on legs.
5. This appliance is manufactured for commercial use ONLY. It is NOT intended for residential indoor use.
6. We upgrade our products regularly and in doing so, materials, specifications, and model numbers are subject to change without notice.

CHAR Products, LLC

Ph. 702-489-9888

Fax. 702-489-9898

Website: www.charprd.com

Email: info@charprd.com

2915 Losee Rd. Ste 106

N. Las Vegas, NV 89030

© copyright 2024