



STANDARD GAS FIRED GRILL

SPECIFICATION SHEET



SPECIFICATIONS

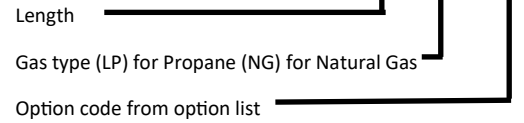
The Gas Fueled CHAR Standard Grill is available in in four different sizes. To ensure performance and longevity these units are constructed entirely of 14 gauge stainless steel and have a ceramic cloth insulated body.

- Must select length 36", 48", 60", 72"
- Must select gas type (LP) for Propane (NG) for Natural Gas

ITEM NO	
QUANTITY	
JOB NAME	
JOB NO	

PART NUMBER DESIGNATION

CP-GFG-STD- - - -



STANDARD FEATURES

- 14 gauge stainless steel body
- Ceramic cloth insulated body
- Multiple gas control valves for precise heat control
- Adjustable leveling feet
- Removable drip pan
- 1/2" thick laser cut removable steel grates
- 3/4" gas connection
- Cleaning kit
- Appropriate gas regulator (for gas type selected)
- Two year warranty parts and labor

OPTIONS

OPTION CODE	DESCRIPTION
FQD	48" FLEX QUICK DISCONNECT
OHWR1	OVERHEAD WARMING RACK 1 TIER
OHWR2	OVERHEAD WARMING RACK 2 TIER
GP	1/2" STAINLESS STEEL POLISHED GRIDDLE PLATE
SSG	1/2" STAINLESS STEEL GRATE
R	ROTISSERIE
RF	ROTISSERIE FORKS
PS	PLATE SHELF
PSC	PLATE SHELF W/CONDIMENT INSERTS
FF	FEATURE FLAME

CONSULTANT APPROVAL:



CHAR Products, LLC

Ph. 702-489-9888

Website: www.charprd.com

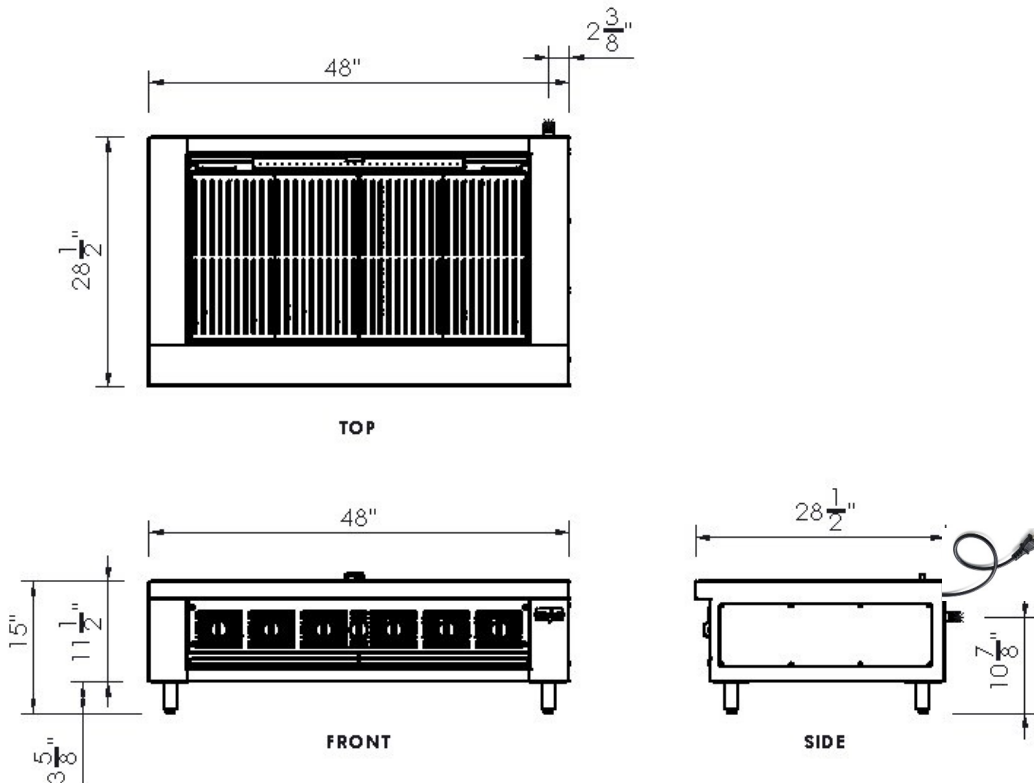
2915 Losee Rd. Ste 106

N. Las Vegas, NV 89030

© copyright 2024



MODEL #	LENGTH A	FUEL LINE SIZE	ELECTRIC	BTU INPUT	SHIPPING WEIGHT
CP-GFG-STD-36-__-__	36"	3/4"	120V-1PH-10A	66,000	656 LBS.
CP-GFG-STD-48-__-__	48"	3/4"	120V-1PH-10A	115,500	874 LBS.
CP-GFG-STD-60-__-__	60"	3/4"	120V-1PH-10A	148,500	1,093 LBS.
CP-GFG-STD-72-__-__	72"	3/4"	120V-1PH-10A	165,000	1,311 LBS.



INSTALLATION INSTRUCTIONS

1. A properly sized gas line must be provided. All units are internally regulated. DO NOT DUAL REGULATE.
2. An adequate ventilation system is required for commercial use. DO NOT ATTEMPT TO OPERATE THIS EQUIPMENT WITHOUT IT.
3. Observe all local and national codes.
4. Proper combustion requires this unit to remain on 3" legs.
5. This appliance is manufactured for commercial use ONLY. It is NOT intended for residential indoor use.
6. We upgrade our products regularly and in doing so, materials, specifications, and model numbers are subject to change without notice.

CHAR Products, LLC

Ph. 702-489-9888

Fax. 702-489-9898

Website: www.charprd.com

Email: info@charprd.com

2915 Losee Rd. Ste 106

N. Las Vegas, NV 89030