

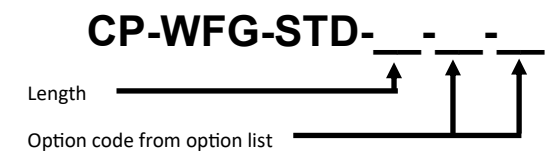


# STANDARD WOOD FIRED GRILL

## SPECIFICATION SHEET

ITEM NO	
QUANTITY	
JOB NAME	
JOB NO	

### PART NUMBER DESIGNATION



### STANDARD FEATURES

- 1/4' steel body
- Ceramic cloth insulated body
- Ceramic Brick lined fire box
- 6" casters two locking
- Skewers included
- 1/2" thick laser cut stainless steel removable grates
- Cleaning kit
- Two year warranty parts and labor

### OPTIONS

OPTION CODE	DESCRIPTION
R	ROTISSERIE
RF	ROTISSERIE FORKS
PS	PLATE SHELF
PSC	PLATE SHELF W/CONDIMENT PAN
AC	ASH CART
WC	WOOD CART
CC	CUSTOM COLOR FINISH

CONSULTANT APPROVAL:

---



### SPECIFICATIONS

The solid fueled CHAR Standard Grill is available in single tier configurations in four different sizes. To ensure performance and longevity these units are constructed entirely 1/4" steel and have a ceramic cloth exterior, and a ceramic brick lined fire box

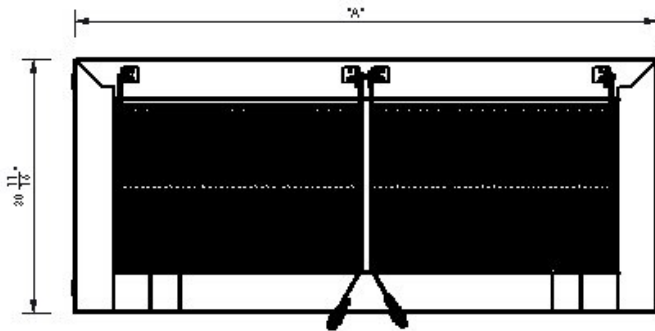
- Must select length 36", 48", 60", 72"



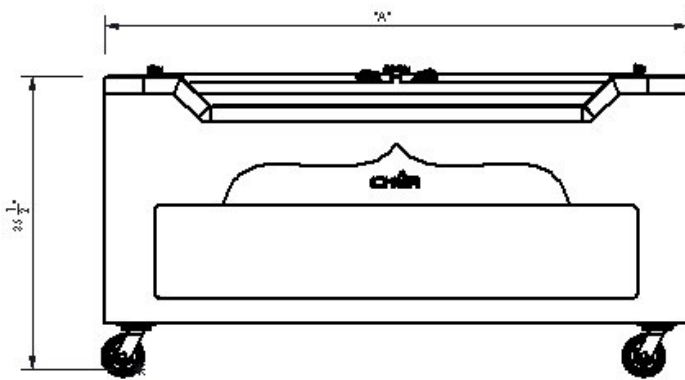
<b>CHAR Products, LLC</b>	Ph. 702-489-9888	Website: <a href="http://www.charprd.com">www.charprd.com</a>	2915 Losee Rd. Ste 106
	Fax. 702-489-9898	Email: <a href="mailto:info@charprd.com">info@charprd.com</a>	N. Las Vegas, NV 89030



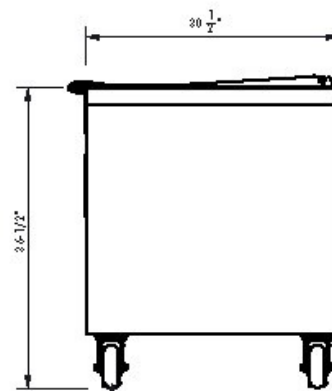
MODEL #	LENGTH A	SHIPPING WEIGHT
CP-WFG-STD-36-__-__	36"	656 LBS.
CP-WFG-STD-48-__-__	48"	874 LBS.
CP-WFG-STD-60-__-__	60"	1,093 LBS.
CP-WFG-STD-72-__-__	72"	1,311 LBS.



TOP



FRONT



SIDE

### INSTALLATION INSTRUCTIONS

1. An adequate ventilation system is required for commercial use. DO NOT ATTEMPT TO OPERATE THIS EQUIPMENT WITHOUT IT.
2. Observe all local and national codes.
3. This appliance is manufactured for commercial use ONLY. It is NOT intended for residential indoor use.
4. We upgrade our products regularly and in doing so, materials, specifications, and model numbers are subject to change without notice.

**CHAR Products, LLC**

Ph. 702-489-9888

Fax. 702-489-9898

Website: [www.charprd.com](http://www.charprd.com)

Email: [info@charprd.com](mailto:info@charprd.com)

2915 Lose Rd. Ste 106

N. Las Vegas, NV 89030