

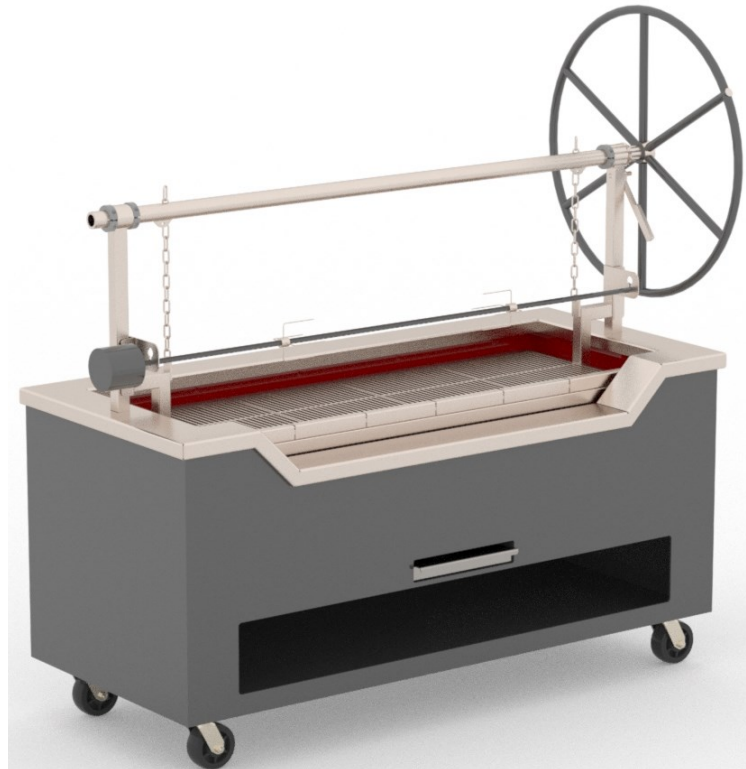
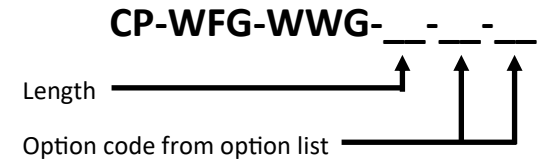


ITEM NO	
QUANTITY	
JOB NAME	
JOB NO	

WAGON WHEEL GRILL SOLID FUEL

SPECIFICATION SHEET

PART NUMBER DESIGNATION



*SHOWN WITH OPTIONAL ROTISSERIE

STANDARD FEATURES

- 1/4" thick powder coated steel body
- Ceramic insulated exterior surface
- 1/4" steel fire box
- Fire brick lined
- 3/8" thick laser cut removable steel grates
- Heavy duty 6" swivel casters (two locking)
- Two year warranty parts and labor

OPTIONS

OPTION CODE	DESCRIPTION
R	ROTISSERIE
RF	ROTISSERIE FORKS
PS	PLATE SHELF
PSC	PLATE SHELF W/CONDIMENT PAN
GP	1/2" POLISHED GRIDDLE PLATE
SSG	1/2" STAINLESS STEEL LASER CUT GRATES
RS	ROTISSERIE W/SKEWER
VG	V-STYLE GRATES
AC	ASH CART
WA	WOOD CART
CC	CUSTOM COLOR FINISH

SPECIFICATIONS

The CHAR Wagon Wheel Grill has a wheel crank to raise and lower the grill grates. Currently available in 48", 60", 72" and 84". The Wagon Wheel Grill has an insulated exterior and a fire brick lined fire box. The unit has removable grilling grates, with options for laser cut stainless steel "V" style, round rod style, or flat style griddle plates. The lower section is for wood storage. The base model has a beautiful satin black powder coat finish. However optional colors including stainless steel are available.

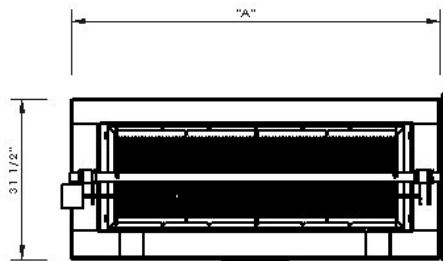
CONSULTANT APPROVAL:



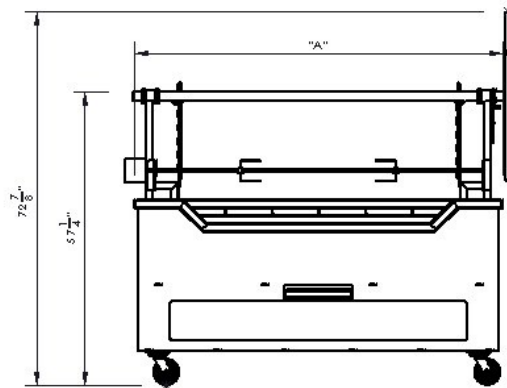
CHAR Products, LLC Ph. 702-489-9888 Website: www.charprd.com 2915 Losee Rd. Ste 106
 Fax. 702-489-9898 Email: info@charprd.com N. Las Vegas, NV 89030



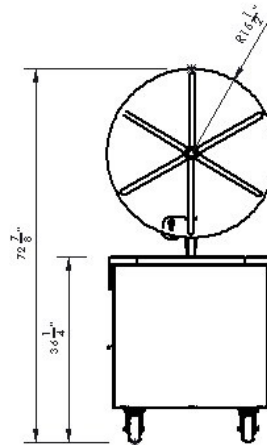
MODEL #	LENGTH A	ESTIMATED SHIPPING
CP-WFG-WWG-48-__-__	48"	950 LBS.
CP-WFG-WWG-60-__-__	60"	1100 LBS.
CP-WFG-WWG-72-__-__	72"	1500 LBS.
CP-WFG-WWG-84-__-__	84"	1850 LBS.



TOP



FRONT



SIDE

INSTALLATION INSTRUCTIONS

1. An adequate ventilation system is required for commercial use. DO NOT ATTEMPT TO OPERATE THIS EQUIPMENT WITHOUT IT.
2. Observe all local and national codes.
3. This appliance is manufactured for commercial use ONLY. It is NOT intended for residential indoor use.
4. We upgrade our products regularly and in doing so, materials, specifications, and model numbers are subject to change without notice.

CHAR Products, LLC

Ph. 702-489-9888

Fax. 702-489-9898

Website: www.charprd.com

Email: info@charprd.com

2915 Losee Rd. Ste 106

N. Las Vegas, NV 89030