



APPLIANCES WITH SOUL®

BARREL ROASTING OVEN

SPECIFICATION SHEET



ITEM NO	
QUANTITY	
JOB NAME	
JOB NO	

PART NUMBER DESIGNATION

CP-WFG-BRO

STANDARD FEATURES

- Heavy duty stainless steel components
- Cast ceramic oven chamber and fire box
- Fully welded stainless steel fire box enclosure
- Heavy duty base frame
- Removable cooking grate and oven lid
- Grease drain (grease trap to be provided by others)
- Two year warranty, parts and labor

SPECIFICATIONS

The CHAR Barrel Roasting Oven is a solid fuel, cast ceramic oven. The ceramic vessel insulates the exterior from extreme temperatures, while maintaining an ideal cooking temperature. The top opening of the ceramic cooking chamber is 25.72" opening. This allows access for hanging or grilling food items. The outside of this chamber is insulated and covered with an expanded metal mesh which functions as an attachment point for a stucco or tile finish(to be provided by others). The unit is mounted on a heavy duty frame designed for forklift mobility and ease of installation.

CONSULTANT APPROVAL:



CHAR Products, LLC

Ph. 702-489-9888

Fax. 702-489-9898

Website: www.charprd.com

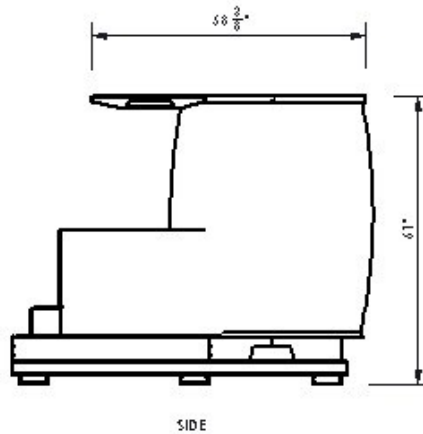
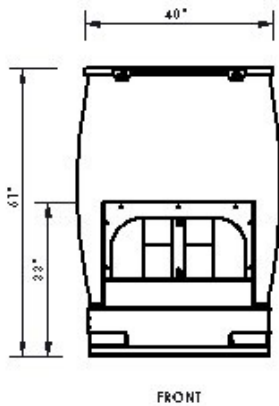
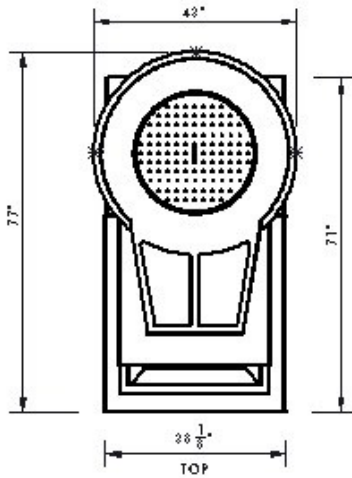
Email: info@charprd.com

2915 Losee Rd. Ste 106

N. Las Vegas, NV 89030



MODEL #	LENGTH	WIDTH	SHIPPING WEIGHT ESTIMATED
CP-WFG-BRO	70 15/16"	38"	2200 LBS.



INSTALLATION INSTRUCTIONS

1. An adequate ventilation system is required for commercial use. DO NOT ATTEMPT TO OPERATE THIS EQUIPMENT WITHOUT IT.
2. Observe all local and national codes.
3. This appliance is manufactured for commercial use ONLY. It is NOT intended for residential indoor use.
4. We upgrade our products regularly and in doing so, materials, specifications, and model numbers are subject to change without notice.

CHAR Products, LLC

Ph. 702-489-9888

Fax. 702-489-9898

Website: www.charprd.com

Email: info@charprd.com

2915 Losee Rd. Ste 106

N. Las Vegas, NV 89030