



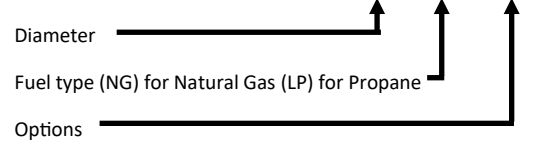
APPLIANCES WITH SOUL®

ROUND BROILER NON-ROTATIONAL SPECIFICATION SHEET

ITEM NO
QUANTITY
JOB NAME
JOB NO

PART NUMBER DESIGNATION

CP-GFG-NRB- - -



STANDARD FEATURES

- 14 Gauge stainless steel body
Left and right side gas valves
Removable drip pans
Fully welded 14 gauge stainless steel fire box
Ceramic cloth insulated perimeter
1/2" Thick laser cut removable steel grates
Heavy duty locking swivel casters
1" gas connection
Appropriate regulator for gas type selection
Two year warranty parts and labor

OPTIONS

Table with 2 columns: OPTION CODE, DESCRIPTION. Rows include GP (1/2" POLISHED GRIDDLE PLATE), FQD (48" GAS FLEX QUICK DISCONNECT), RPS (REMOVABLE PLATE SHELF 10"), PSC (PLATE SHELF 1/6 PAN W/CONDIMENT INSERT), and FF (FEATURE FLAME).

SPECIFICATIONS

The CHAR Round Broiler uses gas fuel. Available in 48" and 60" diameters. The unit serves as a heavy duty broiler and can function as a griddle when equipped with the high polished 1" thick removable stainless steel griddle plates.

- Must select diameter 48,60 inch diameters
Must select fuel type (NG) for Natural Gas (LP) for Propane



CONSULTANT APPROVAL:

CHAR Products, LLC

Ph. 702-489-9888

Fax. 702-489-9898

Website: www.charprd.com

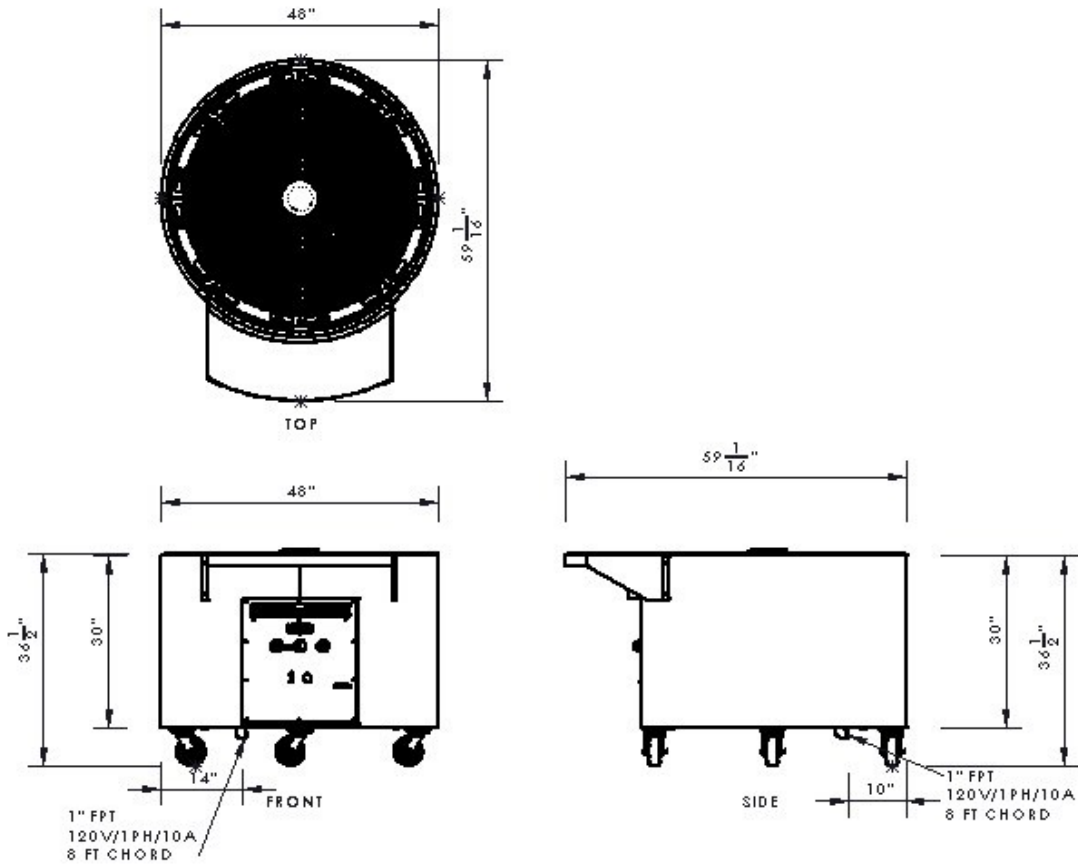
Email: info@charprd.com

2915 Losee Rd. Ste 106

N. Las Vegas, NV 89030



MODEL #	DIAMETER A	GAS LINE SIZE	BTU INPUT NG	BTU W/FEATURE FLAME	SHIPPING WEIGHT ESTIMATED
CP-GFG-NRB-48-__	48"	1"	198,000	228,000	1,200 LBS.
CP-GFG-NRB-60-__	60"	1"	222,000	252,000	1,550 LBS.



INSTALLATION INSTRUCTIONS

1. A properly sized gas line must be provided. All units are internally regulated. DO NOT DUAL REGULATE.
2. An adequate ventilation system is required for commercial use. DO NOT ATTEMPT TO OPERATE THIS EQUIPMENT WITHOUT IT.
3. Observe all local and national codes.
4. Proper combustion requires this unit to remain on 6" casters
5. This appliance is manufactured for commercial use ONLY. It is NOT intended for residential indoor use.
6. We upgrade our products regularly and in doing so, materials, specifications, and model numbers are subject to change without notice.

CHAR Products, LLC

Ph. 702-489-9888

Fax. 702-489-9898

Website: www.charprd.com

Email: info@charprd.com

2915 Losee Rd. Ste 106

N. Las Vegas, NV 89030