



APPLIANCES WITH SOUL®

ROUND PLANCHA GAS FUELED SPECIFICATION SHEET



SPECIFICATIONS

The CHAR gas fueled Round Plancha is available in 40", 48" and 60" diameters. This unit serves as a heavy duty griddle with high polished stainless steel plate cooking surface. To ensure performance and longevity, these units are constructed entirely of 304 stainless steel. Add the optional rotation feature to showcase the grilling experience. Utilizing a tested and proven industrial gear motor, this unit's option will provide years of uninterrupted operation of the rotating grill surface. Adjustability achieved with a rotational speed controller. This Round Plancha will be the highlight of the cooking experience.

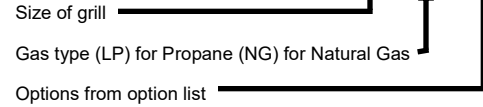
- Must select from gas type (LP) for Propane (NG) for Natural gas
- Gas safety is standard
- .Must choose size 40", 48", 60"



ITEM NO	
QUANTITY	
JOB NAME	
JOB NO	

PART NUMBER DESIGNATION

CP-GFG- RPL- - -



STANDARD FEATURES

- 14 gauge stainless steel body
- Left and right side gas valves
- Removable drip tray
- Fully welded 14 gauge stainless steel drip rail
- 1/2" thick laser cut high polished stainless steel griddle plate
- 3/4" gas connection
- Appropriate regulator for gas type selected
- 6" Casters
- Two year warranty parts and labor

OPTIONS

OPTION	DESCRIPTION
FQD	48" GAS FLEX QUICK DISCONNECT
RGP	ROTATING GRILL PLATE
RPS	REMOVABLE 10" PLATE SHELF
PSC	PLATE SHELF 1/6 PAN CONDIMENT INSERTS

CONSULTANT APPROVAL:

CHAR Products, LLC

Ph. 702-489-9888

Website: www.charprd.com

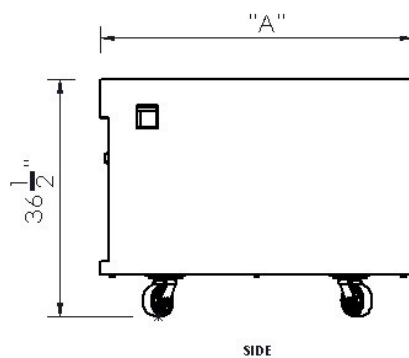
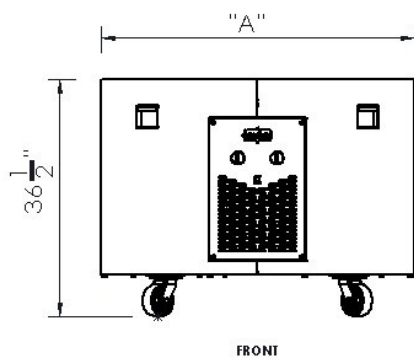
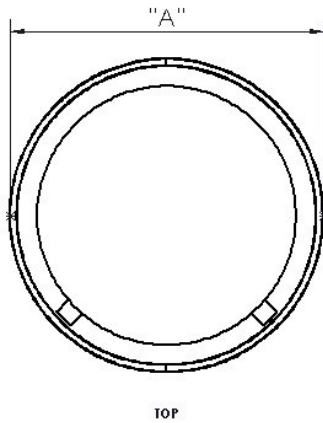
2915 Losee Rd. Ste 106

N. Las Vegas, NV 89030

© copyright 2026



MODEL #	LENGTH & WIDTH	FUEL LINE SIZE	ELECTRIC W/GAS SAFETY	BTU INPUT NG	SHIPPING WEIGHT ESTIMATED
CP-GFG-RPL-40-__-__	40	3/4"	120V-1PH-5A	168,000	475 LBS.
CP-GFG-RPL-48-__-__	48	3/4"	120V-1PH-5A	198,000	550 LBS.
CP-GFG-RPL-60-__-__	60	3/4"	120V-1PH-5A	222,000	675 LBS.



INSTALLATION INSTRUCTIONS

1. A properly sized gas line must be provided. All units are internally regulated. DO NOT DUAL REGULATE
2. An adequate ventilation system is required for commercial use. DO NOT ATTEMPT TO OPERATE THIS EQUIPMENT WITHOUT IT.
3. Observe all local and national codes.
4. Proper combustion requires this unit to remain on casters or legs
5. This appliance is manufactured for commercial use ONLY. It is NOT intended for residential indoor use.
6. We upgrade our products regularly and in doing so, materials, specifications, and model numbers are subject to change without notice.

CHAR Products, LLC

Ph. 702-489-9888

Fax. 702-489-9898

Website: www.charprd.com

Email: info@charprd.com

2915 Losee Rd. Ste 106

N. Las Vegas, NV 89030